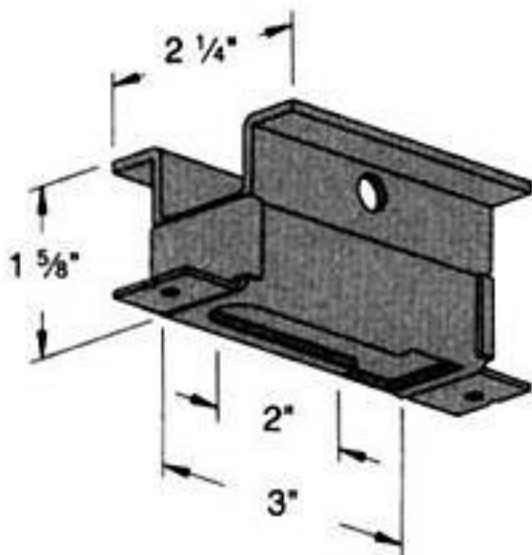


PS 285 – Light Weight Concrete Insert



Rod Size	Load Rating	Wt./ 100 pcs
1/4"	230	46
3/8"	400	49
1/2"	400	49

Finish: Plain or Electro-galvanized