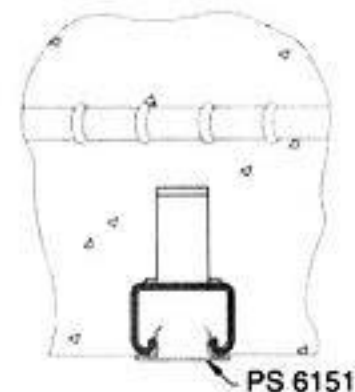
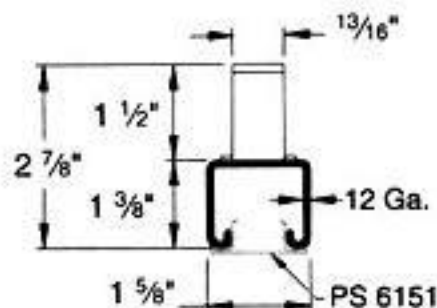
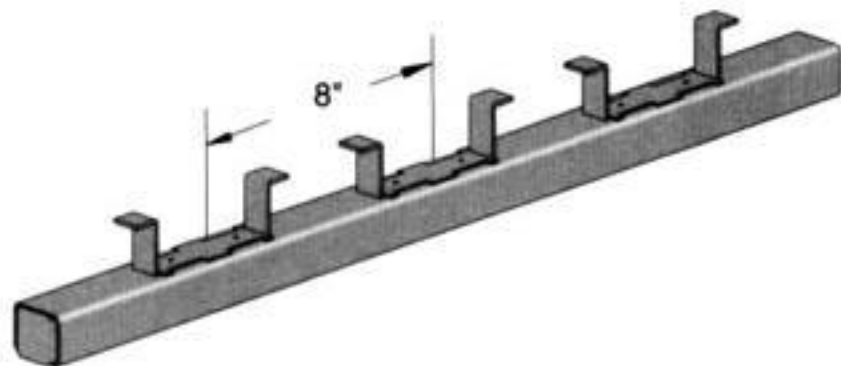
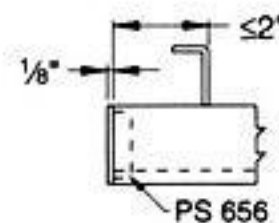
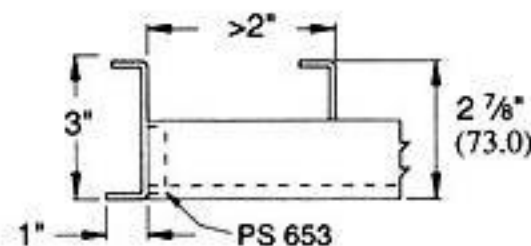
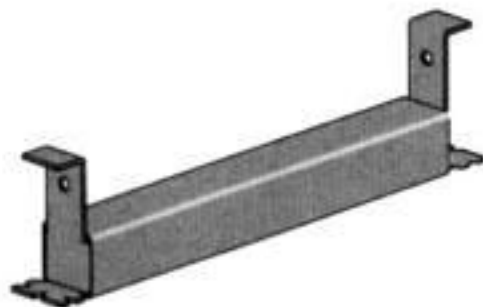


PS 349 – Continuous Concrete Insert (1⁵/₈" x 1³/₈")



Choice of end cap is based on the distance from the end of the insert to the first anchor as shown below.



Furnished with steel end caps and plastic closure strips installed

Wt./100 pcs

Part No.	End Cap	PLN	Load Data*
PS 349 3' CS/EC	PS 653	72	500 lbs
PS 349 4' CS/EC	PS 653	87	800 lbs.
PS 349 6' CS/EC	PS 653	117	1,000 lbs.
PS 349 8' CS/EC	PS 653	147	1,200 lbs.
PS 349 1' CS/EC	PS 653	194	2,000 lbs.
PS 349 1'4" CS/EC	PS 656	253	2,000 lbs./ft.
PS 349 1'8" CS/EC	PS 653	312	2,000 lbs./ft.
PS 349 2' CS/EC	PS 656	371	2,000 lbs./ft.
PS 349 2'8" CS/EC	PS 656	490	2,000 lbs./ft.
PS 349 3' CS/EC	PS 653	549	2,000 lbs./ft.
PS 349 4' CS/EC	PS 656	727	2,000 lbs./ft.
PS 349 5' CS/EC	PS 653	905	2,000 lbs./ft.
PS 349 6' CS/EC	PS 656	1,082	2,000 lbs./ft.
PS 349 7' CS/EC	PS 653	1,260	2,000 lbs./ft.
PS 349 8' CS/EC	PS 656	1,438	2,000 lbs./ft.
PS 349 9' CS/EC	PS 653	1,615	2,000 lbs./ft.
PS 349 10' CS/EC	PS 656	1,793	2,000 lbs./ft.
PS 349 12' CS/EC	PS 656	2,148	2,000 lbs./ft.
PS 349 14' CS/EC	PS 656	2,504	2,000 lbs./ft.
PS 349 16' CS/EC	PS 656	2,859	2,000 lbs./ft.
PS 349 18' CS/EC	PS 656	3,215	2,000 lbs./ft.
PS 349 20' CS/EC	PS 656	3,570	2,000 lbs./ft.
PS 349 10' W/O	Insert Only	1,777	*uniform recommended loading on inserts in 3,000 psi concrete.
PS 349 20' W/O	Insert Only	3,554	

- Use channel nuts designed for PS 300 Channel.

- Nail or anchor the inserts to forms every 16" to 24"